

Acoustical Ceilings

FABRIC WRAPPED FIBERGLASS CEILING PANELS

Fabric Ceiling Panels provide high-performance sound absorption with a clean, customizable finish. Multiple sizes, thicknesses, and fabric options support direct ceiling mounting for effective reduction of reverberation.

FABRIC WRAPPED FIBERGLASS CEILING PANELS

Applications: Ceilings

Physical Properties:

Material: 1", 2" Fiberglass

Color Fastness: Per Specified Fabric

Fire Rating: Class A (ASTM E84)

Weight: 0.50 PSF (1") | 1.0 PSF (2")

Density: 6 PCF (1", 2")

Sustainability and Certifications:

- 55% Post Consumer Recycled Glass
- Moisture and Fungi Resistant Core

Acoustical Performance

Mounting Method (ASTM C423 / ASTM E795)	1"			2"		
	NRC	SAA	Sabin/S.F	NRC	SAA	Sabin/S.F
A	0.85	0.85*	0.90	1.20	1.20*	1.10
B (0.25" Cavity)	0.90	0.90*	0.90	1.25	1.25*	1.10

*The specific mounting method used during testing can significantly affect the sound absorption data and the resulting Noise Reduction Coefficient (NRC) or Sound Absorption Average (SAA) ratings. Therefore, it is crucial to compare product performance data only when the same test method and mounting type are used, and the mounting type should be as close as possible to the real-world installation method.

**Available upon request.

Textile Manufacturers



Duvaltex

Anchorage, Auster, Axiom, Bailey, BeeHave, Broadcast, Cape Cod, Chase, Crosstown, Ease, Expanse, Felt, FR701, Framework, Gather, Intermix, Intuition, Jane, Lido, Marin Marlstone, Metallation, Metro, Off the Grid, Open House (54”), Palette, Poseidon, Purpose, Pursuit, Quadrille, Reeds, Resolve, Spinel, Sprite, Strata, Studio 54, Synopsis, Tempest, Theory, Tidal, Tweed, Tweed, Whisper, Anchorage (66”)

Maharam

Mode, Muse, Manner, Tek-Wall 1003, Pallet, Metaphor

Designtex

Gamut, Felt, Gravity, Ulster

Knoll Textiles

Hourglass, Whip, Velvet 1970

HBF Textiles

Upbeat, Look-see

Luum Textiles

Warp Speed, Tangle

Arc-Com

Embrace

Burch

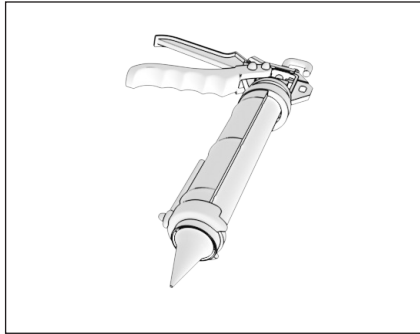
Prime Time

Momentum Textiles & Wallcovering

Lens

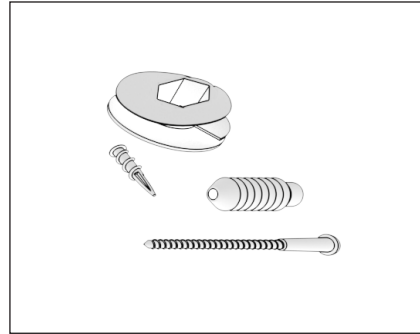
Attachment Methods / Hardware

Option 1



Construction
Adhesive

Option 2



Rotofast Snap-on
Anchor

Edge Styles

Available in natural and hardened



Square



Bevel

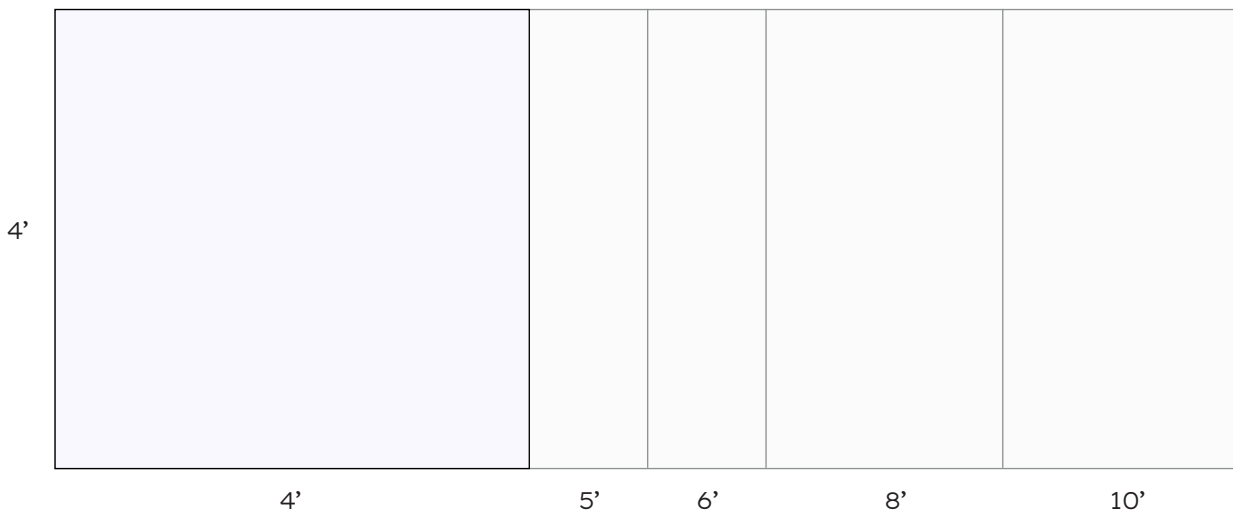
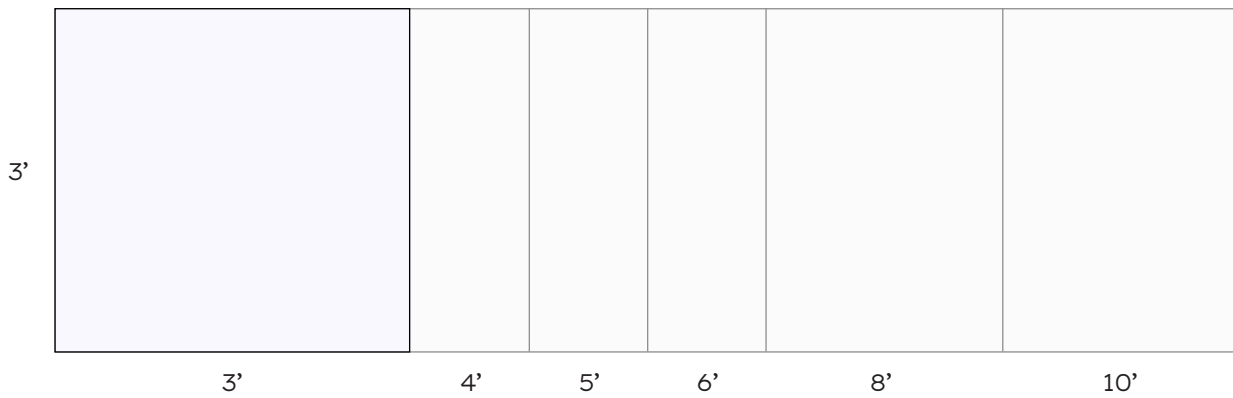
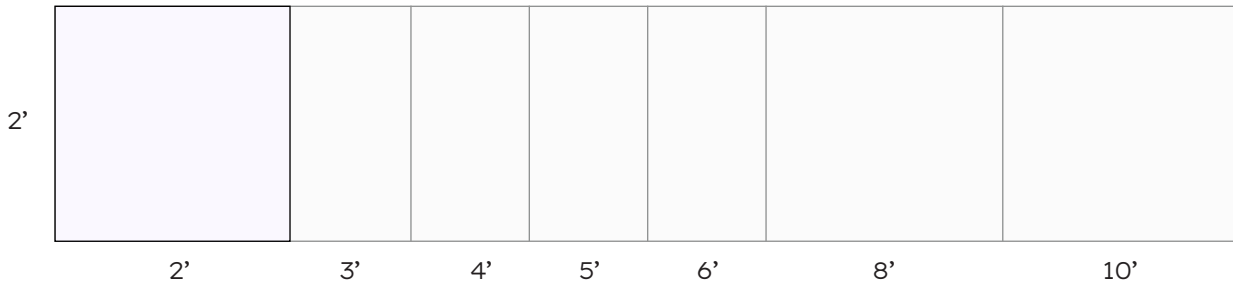
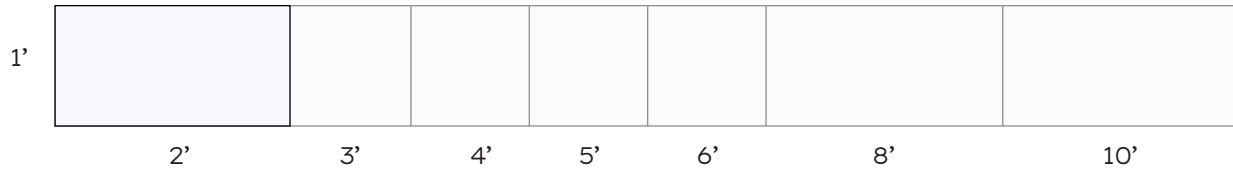


Miter

FABRIC WRAPPED FIBERGLASS CEILING PANELS

Sizes

Available in 1" and 2" thickness



How To Specify

1. Size and Edge Style

- Select panel size
- Select Edge Style:
 - Square
 - Bevel
 - Miter
- Select Edge Condition
 - Natural Edge
 - Hardened Edge

2. Fabric

- Select fabric provider and pattern

3. Mounting Method

- Construction Adhesive
- Rotofast Snap-on Anchor