

Acoustical Walls

FABRIC WRAPPED FIBERGLASS WALL PANELS

Fabric Wrapped Wall Panels combine high-performance sound absorption with a clean, customizable aesthetic. Multiple sizes, thicknesses, and fabric options allow seamless integration into any interior while improving acoustics and visual appeal.

FABRIC WRAPPED FIBERGLASS WALL PANELS

Applications: Walls

Physical Properties:

Material: 1", 2" Fiberglass

Color Fastness: Per Specified Fabric

Fire Rating: Class A (ASTM E84)

Weight: 0.50 PSF (1") | 1.0 PSF (2")

Density: 6 PCF (1", 2")

Sustainability and Certifications:

- 55% Post Consumer Recycled Glass
- Moisture and Fungi Resistant Core

Acoustical Performance

Mounting Method (ASTM C423 / ASTM E795)	1"			2"		
	NRC	SAA	Sabin/S.F	NRC	SAA	Sabin/S.F
A	0.85	0.85*	0.90	1.20	1.20*	1.10
B (0.25" Cavity)	0.90	0.90*	0.90	1.25	1.25*	1.10

*The specific mounting method used during testing can significantly affect the sound absorption data and the resulting Noise Reduction Coefficient (NRC) or Sound Absorption Average (SAA) ratings. Therefore, it is crucial to compare product performance data only when the same test method and mounting type are used, and the mounting type should be as close as possible to the real-world installation method.

**Available upon request.

Textile Manufacturers



Duvaltex

Anchorage, Auster, Axiom, Bailey, BeeHave, Broadcast, Cape Cod, Chase, Crosstown, Ease, Expanse, Felt, FR701, Framework, Gather, Intermix, Intuition, Jane, Lido, Marin Marlstone, Metallation, Metro, Off the Grid, Open House (54”), Palette, Poseidon, Purpose, Pursuit, Quadrille, Reeds, Resolve, Spinel, Sprite, Strata, Studio 54, Synopsis, Tempest, Theory, Tidal, Tweed, Tweed, Whisper, Anchorage (66”)

Maharam

Mode, Muse, Manner, Tek-Wall 1003, Pallet, Metaphor

Designtex

Gamut, Felt, Gravity, Ulster

Knoll Textiles

Hourglass, Whip, Velvet 1970

HBF Textiles

Upbeat, Look-see

Luum Textiles

Warp Speed, Tangle

Arc-Com

Embrace

Burch

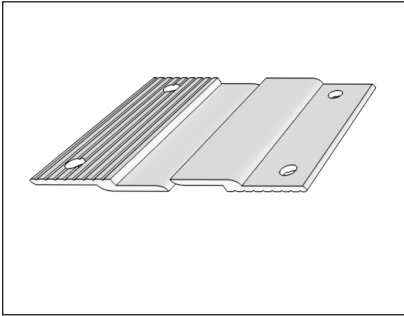
Prime Time

Momentum Textiles & Wallcovering

Lens

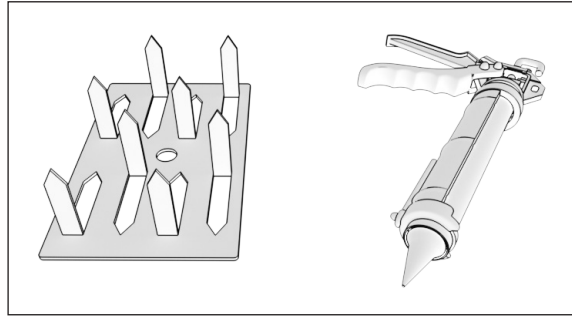
Attachment Methods / Hardware

Option 1



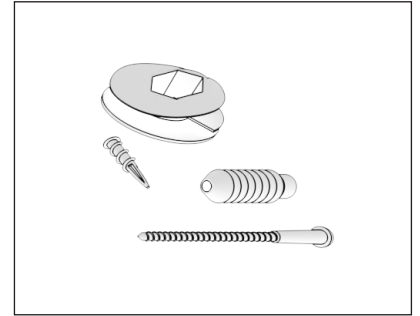
Z Clip

Option 2



Impaling Clip , Construction
Adhesive

Option 3



Rotofast Snap-on
Anchor

Edge Styles

Available in natural and hardened



Square



Bevel



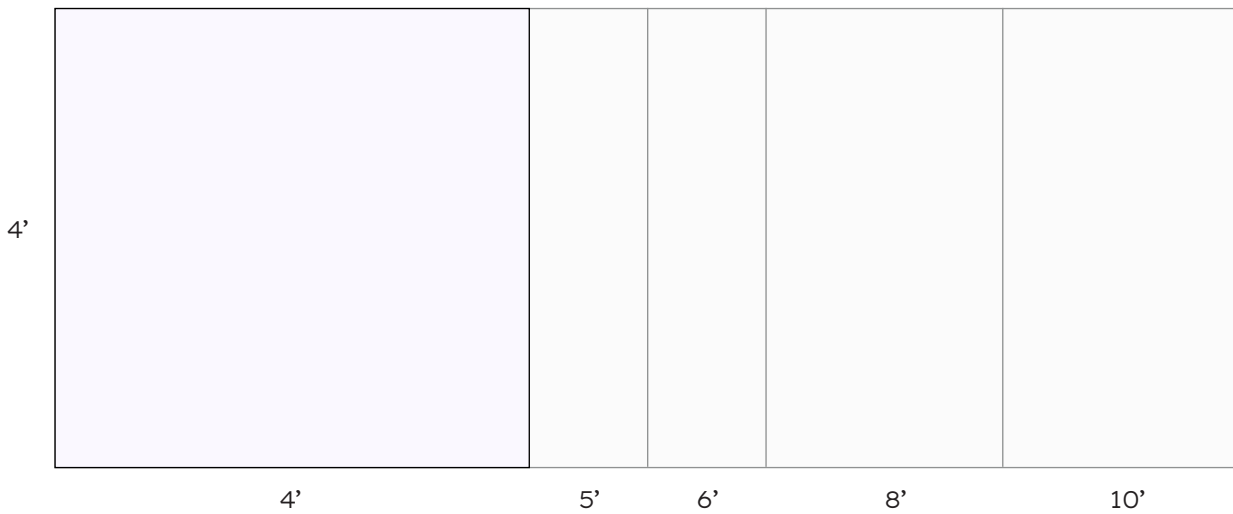
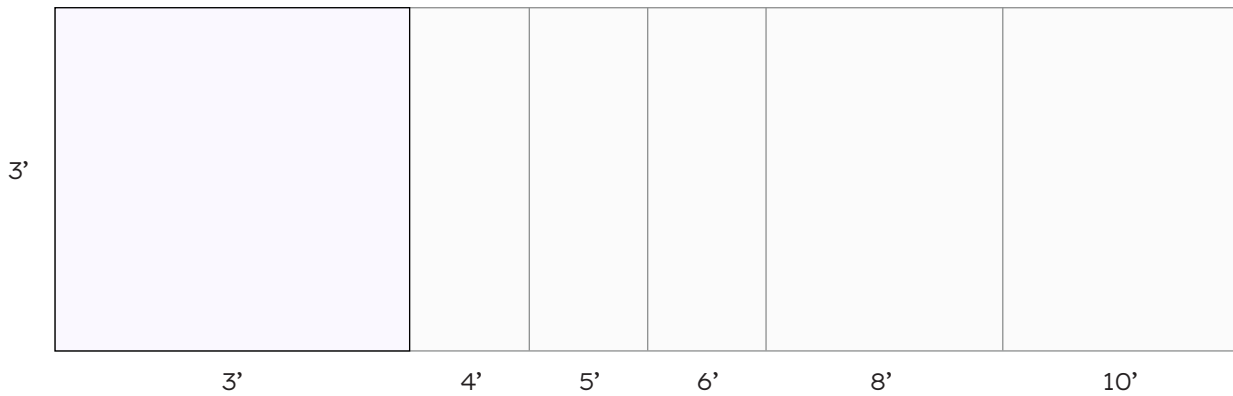
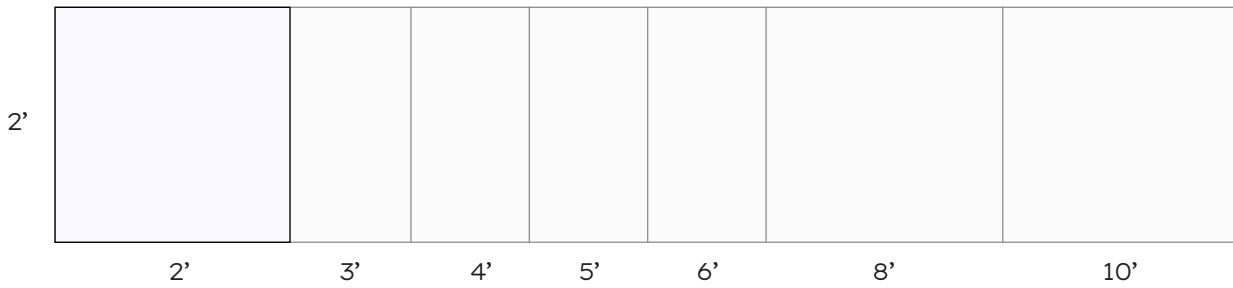
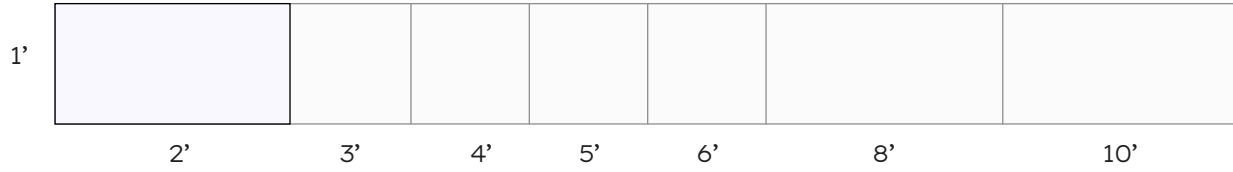
Miter

FABRIC WRAPPED FIBERGLASS WALL PANELS

Sizes

Available in 1" and 2" thickness.

Custom sizes available upon request.



How To Specify

1. Edge Style

- Select panel size
- Select Edge Style:
 - Square
 - Bevel
 - Miter
- Select Edge Condition
 - Natural Edge
 - Hardened Edge

2. Fabric

- Select fabric provider and pattern

3. Mounting Options

- Z Clips
- Impaling Clips, Construction Adhesive
- Rotofast Snap-on Anchor